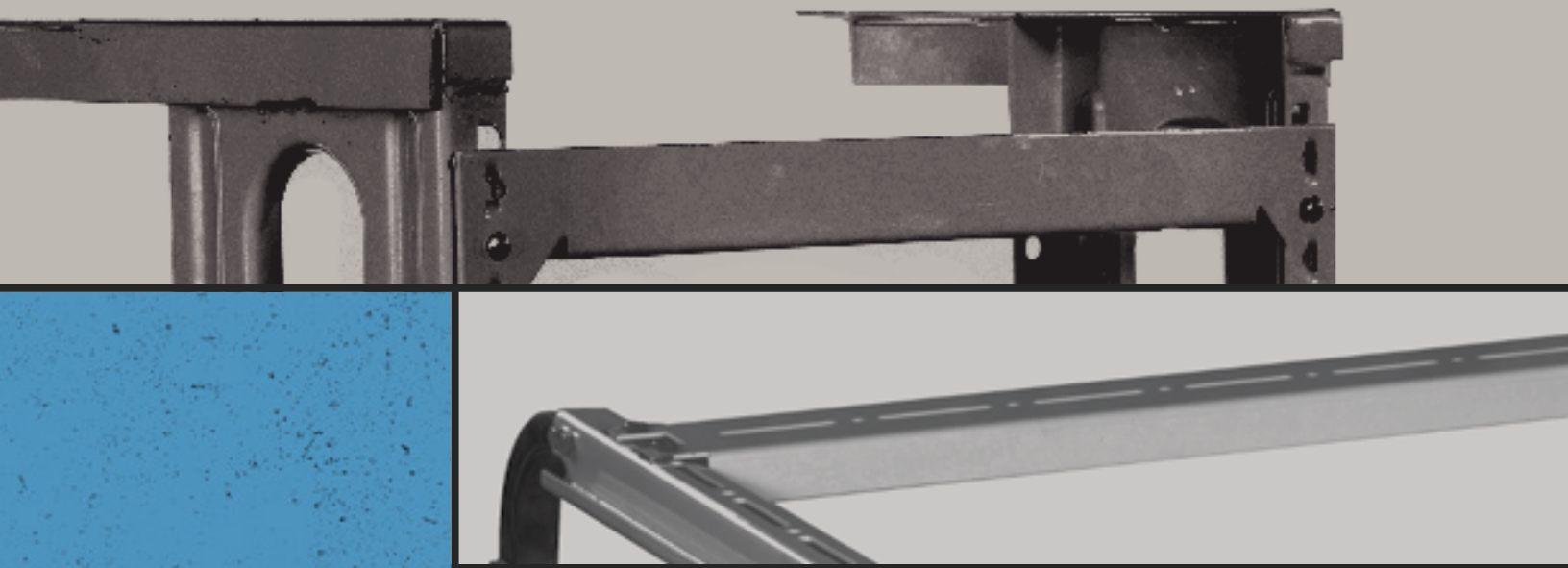


Products Catalogue



**HVAC
FIXATION
SYSTEM**

 **HARMONY[®]**
SUPPLIER

QUALITY
EMPOWERS
YOU.

ABOUT HARMONY

0.1

Harmony Group is the national market leader in several sheet metal products and successfully develops new types of applications for sheet metal that can be used in various fields. The privately owned company based in Giza, Egypt, develops and manufactures high specialized products for different home appliances products.

The Factory is located in the 3rd industrial zone, 6th of October, Giza, Egypt. Harmony's facility covers a manufacturing area of 2000 m² where more than 250 hard working employee get the work done. Combining decades of technical experience with modern management. Harmony is constantly expanding its business.

CERTIFICATION

CERTIFICATES

ISO 9001:2015



ISO 14001:2015



Scan this QR Code with smartphone to verify the certificate

CERTIFICATE OF REGISTRATION



This is to certify that:

HARMONY
(ALAA OSAMA MAHMOUD AND HIS PARTNERS)

PLOT 230, THIRD INDUSTRIAL ZONE,
6TH OF OCTOBER, GIZA - EGYPT

Additional Site:
1, NEW MARWA BUILDING, AHMED TAYSEER STREET,
NASR CITY, EGYPT

the management system of the above organisation has been assessed and found to comply with the requirements of the management system standards detailed below

STANDARD

ISO 14001:2015

Environmental Management System

Certification Scope

Manufacturing of All Steel and Construction and Supports for Pipes and Process Components Products and Sheet Metal Fabrication.
Design, Supply, Installation, Testing, Commissioning & After Sales Service of All Types of HVAC (Heating, Ventilation and Air-Conditioning) Systems.
Design, Supply, Installation, Testing & Commissioning of All Types of Fire-Fighting Systems.

Certification Calendar

Certificate Number IAS2612144669	Date of Registration 26-Dec-2022	Validity **Validity of this certificate is subject to successful and timely completion of the annual surveillance audit.
Client ID HA2086	Valid From 26-Dec-2022	Note¹ : Certification cycle expiry date of this certificate is - 25-Dec-2025.
Revision No. 00	Valid Until 25-Dec-2023	Note² : Surveillance 01 will be due in the month of Nov-2023 and Surveillance 02 will be due in the month of Nov-2024.

**This certificate remains the property of SAGACI and shall have to be returned back when it has ceased to be valid, for whatever reason.
*Information about this certificate can be inquired at the official website of certification (www.sagaciert.com)



Authorized Signatory





ACCREDITED
Management System
Certification Body
19011

SAGACI CERTIFICATIONS PRIVATE LIMITED
www.sagaciert.com

This certificate has been issued by Sagar Certifications Pvt. Ltd., B-1, 3, Block 3, Sector 17, Gurgaon, Haryana, India. It is valid only if the client complies with the requirements of the standard. This will be reviewed regularly by SAGACI. The use of ISO accreditation marks indicates accreditation in respect of those activities covered by the accreditation certificate. Further clarification regarding the scope of this certificate and verification of the certificate is available through SAGACI or www.sagaciert.com.
Phone: 011-43692111, Email: info@sagaciert.com, Web: www.sagaciert.com

ISO 45001:2018



Scan this QR Code with smartphone to verify the certificate

CERTIFICATE OF REGISTRATION



This is to certify that:

HARMONY
(ALAA OSAMA MAHMOUD AND HIS PARTNERS)

PLOT 230, THIRD INDUSTRIAL ZONE,
6TH OF OCTOBER, GIZA - EGYPT

Additional Site:
1, NEW MARWA BUILDING, AHMED TAYSEER STREET,
NASR CITY, EGYPT

the management system of the above organisation has been assessed and found to comply with the requirements of the management system standards detailed below

STANDARD

ISO 45001:2018

Occupational Health & Safety Management System

Certification Scope

Manufacturing of All Steel and Construction and Supports for Pipes and Process Components Products and Sheet Metal Fabrication.
Design, Supply, Installation, Testing, Commissioning & After Sales Service of All Types of HVAC (Heating, Ventilation and Air-Conditioning) Systems.
Design, Supply, Installation, Testing & Commissioning of All Types of Fire-Fighting Systems.

Certification Calendar

Certificate Number IAS2612454470	Date of Registration 26-Dec-2022	Validity **Validity of this certificate is subject to successful and timely completion of the annual surveillance audit.
Client ID HA2086	Valid From 26-Dec-2022	Note¹ : Certification cycle expiry date of this certificate is - 25-Dec-2025.
Revision No. 00	Valid Until 25-Dec-2023	Note² : Surveillance 01 will be due in the month of Nov-2023 and Surveillance 02 will be due in the month of Nov-2024.

**This certificate remains the property of SAGACI and shall have to be returned back when it has ceased to be valid, for whatever reason.
*Information about this certificate can be inquired at the official website of certification (www.sagaciert.com)



Authorized Signatory





ACCREDITED
Management System
Certification Body
19011

SAGACI CERTIFICATIONS PRIVATE LIMITED
www.sagaciert.com

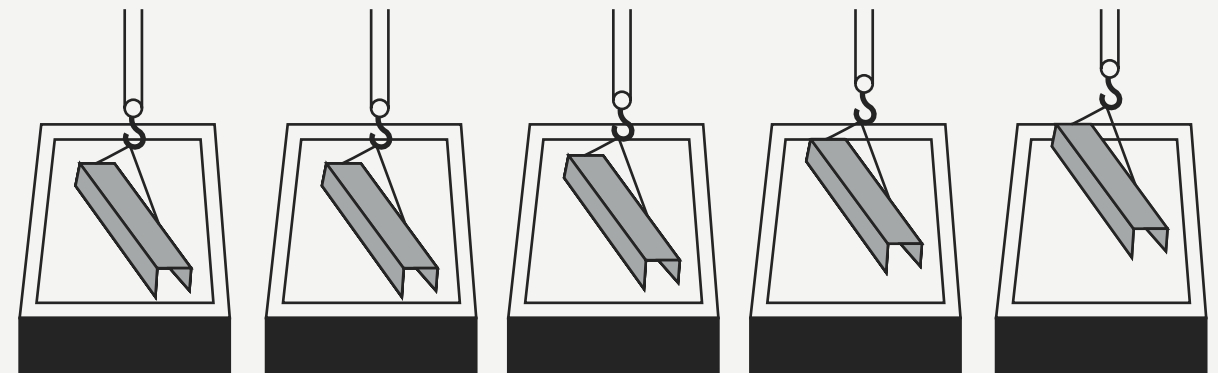
This certificate has been issued by Sagar Certifications Pvt. Ltd., B-1, 3, Block 3, Sector 17, Gurgaon, Haryana, India. It is valid only if the client complies with the requirements of the standard. This will be reviewed regularly by SAGACI. The use of ISO accreditation marks indicates accreditation in respect of those activities covered by the accreditation certificate. Further clarification regarding the scope of this certificate and verification of the certificate is available through SAGACI or www.sagaciert.com.
Phone: 011-43692111, Email: info@sagaciert.com, Web: www.sagaciert.com

Galvanization Methodology.

Hot-dip galvanizing is the process of immersing iron or steel in a bath of molten zinc to produce a corrosion resistant, multi-layered coating of zinc-iron alloy and zinc metal. While the steel is immersed in the zinc, a metallurgical reaction occurs between the iron in the steel and the molten zinc. This reaction is a diffusion process, so the coating forms perpendicular to all surfaces creating a uniform thickness throughout the part.

FIRST STEP

SURFACE PREPARATION



Caustic Cleaning

Rinsing

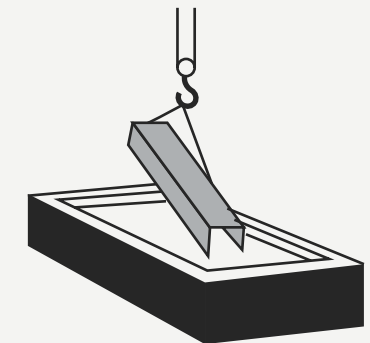
Pickling

Rinsing

Flux Solution

SECOND STEP

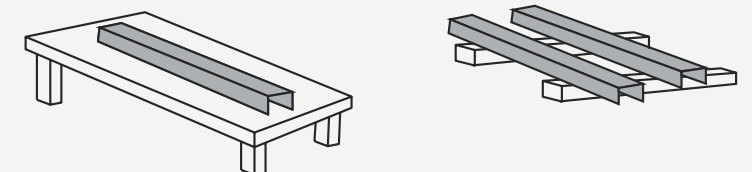
GALVANIZING Molten Zinc Bath



FINAL STEP

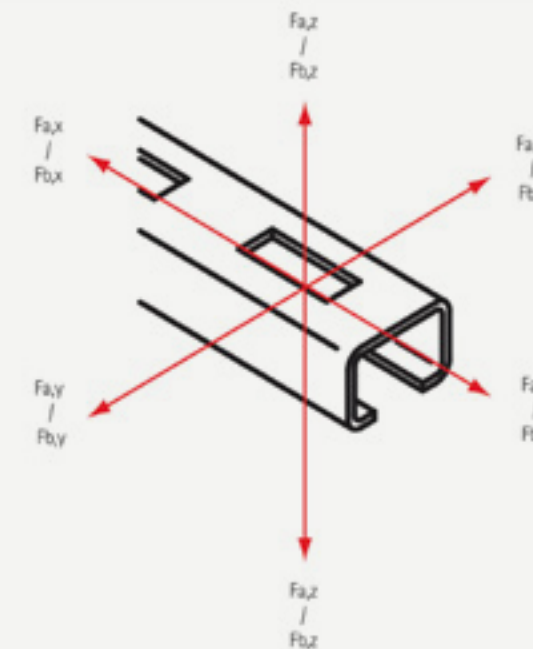
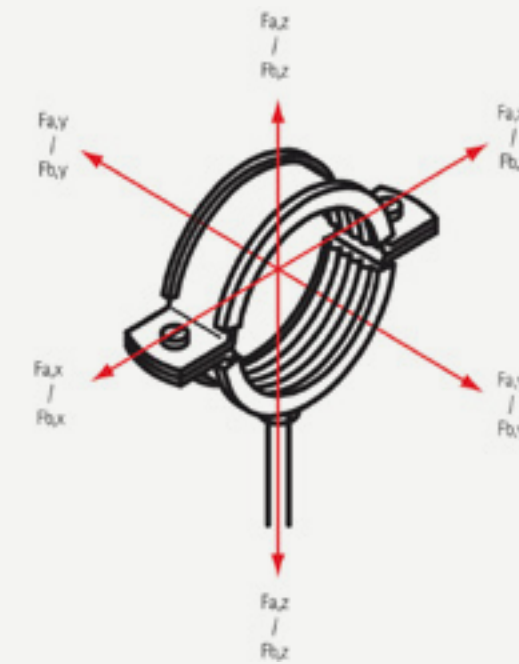
INSPECTION

Cooling and
Quality Assurance



Maximum Allowed Load.

From most of our products a maximum allowed load is included in the article tables. Stand values are determined by the measuring method described in the testing prescriptions RAL-GZ 655, which is set up by the 'Gütegemeinschaft Rohrbefestigung!'. If the product is provided with the 'RAL-Gütezeichen', the test results are checked by an independent testing institute.



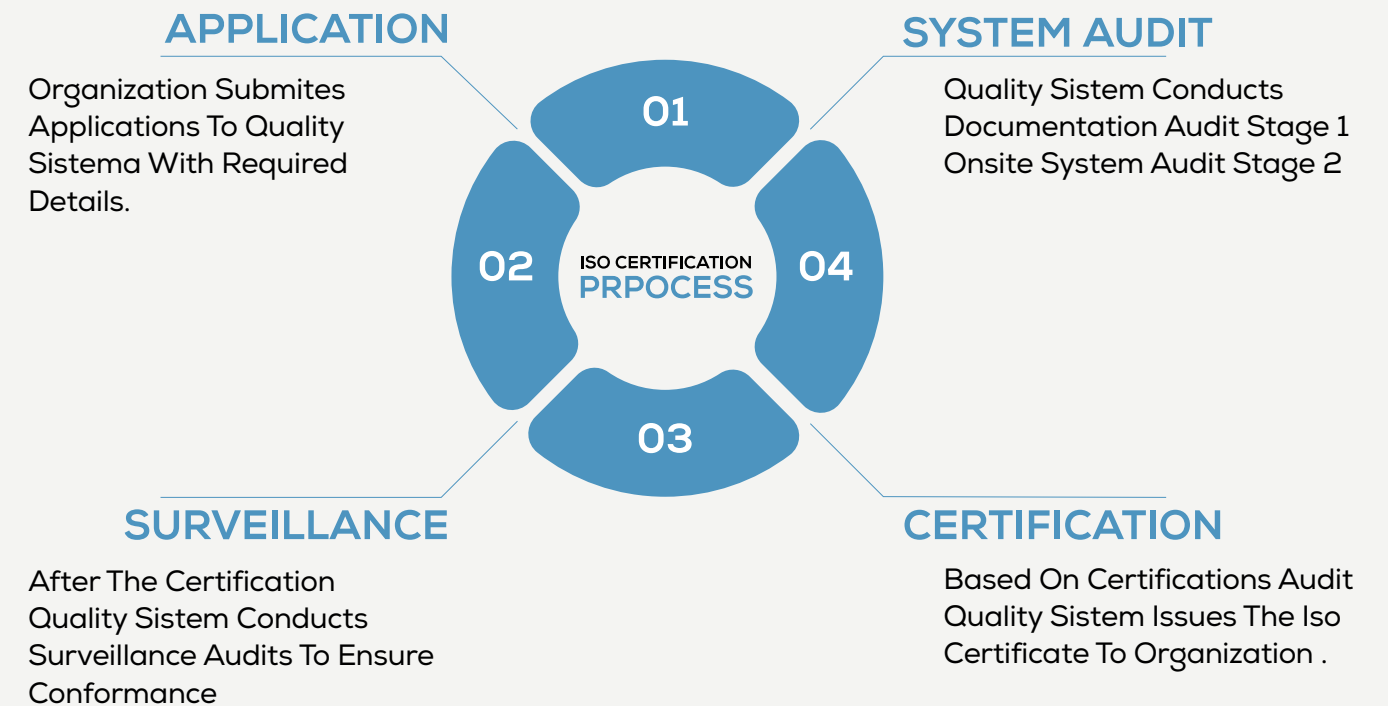
Force Directions (F) x, y, and z (at 20°C)

Fa = Maximum Allowe Load
 Fb = Breaking Load
 For plastic clamps the breaking load is included.

Commitment To Quality

Our commitment to quality is clearly revealed in the way we do our business; our processes, our close interaction with our clients as well By delivering superior products tailored to the specific construction needs, ambitious solutions, and an outstanding as the strict product inspection procedures.

To achieve this, we have implemented quality systems & processes that are continually being improved to satisfy our customer's needs



HVAC FIXATION SYSTEM

1.0

HVAC FIXATION SYSTEM

1.1

BIS Duckleg Frame Set

- 1.1.1 Duckleg Frame Set & Extension

PAGE 17

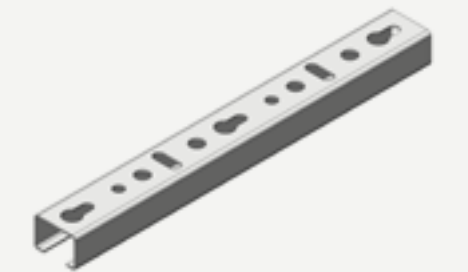


1.2

RapidRail Fixing System

- 1.2.1 RapidRail Fixing System
- 1.2.2 RapidRail Fixing System Cantilever Arm

PAGE 19



1.3

Rail Props

- 13.1 Rail Props

PAGE 23



Duckleg Frame Set & Extension



FEATURES & BENEFITS

Complete set for supporting installation appliances on flat roofs

Suitable for wide range of commonly used aircon's, ventilation units, etc.

With non-slip anti-vibration mat

Device can't be heavier than 1500 kg

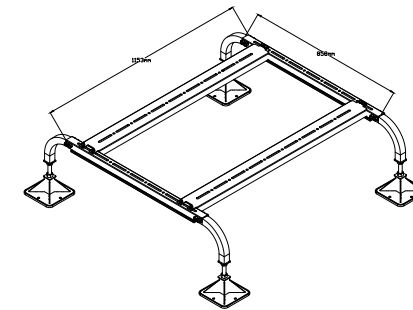
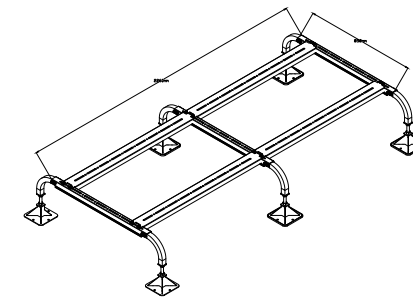
predefined load capacity: calculation not necessary

Top of device can't be higher than 1.2 m over the roof level

Moldings made of WPC, a composite of recycled plastic and wood fiber

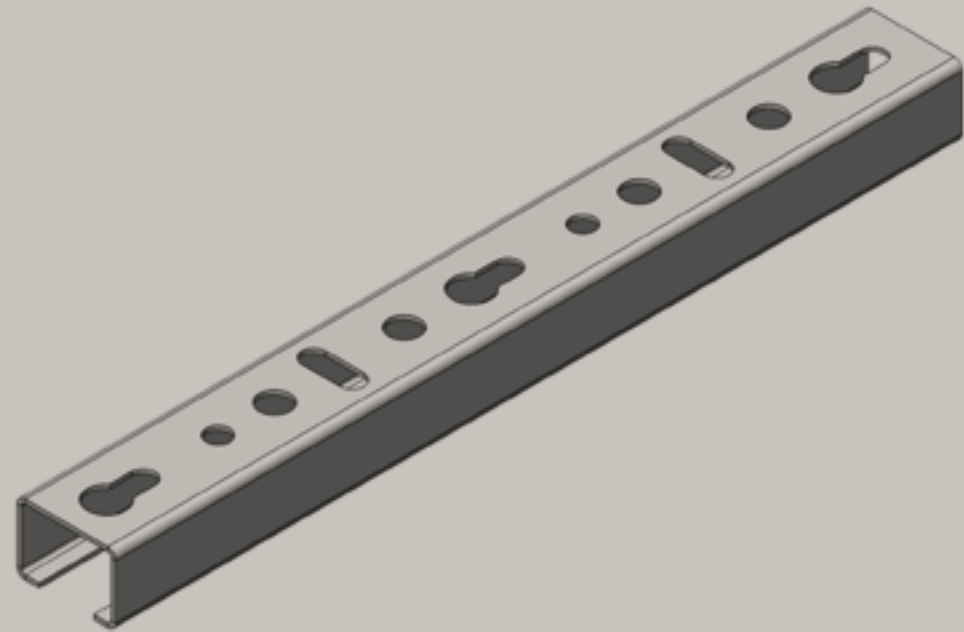


Part No.	Model	Pack1
6768 5 501	BIS Yeti 335 for 1 installation appliance	1
6768 5 502	BIS Yeti 335 for 2 installation appliances	1



Hot Dip Galvanized, Stainless Steel, and Electrical Option available on request.
With connection nut M8/M10, M10/M12 available on request.
With M6 Side Nuts available on request.

BIS RapidRail Fixing System



FEATURES & BENEFITS

C-profile for a quick and easy fixing

With continuous perforation (on request without perforation)

Dist. between rail end & first hole is equal

Unique perforation on rail WM15, WM30 and rail WM35 allows for hanging on both sides

A continuous graduated centimeter scale on one side

Material: steel 1.0242

Yield strength 240 N/mm²

Pre-galvanized

Information about max. allowed load (Fa, z) check loading tables.



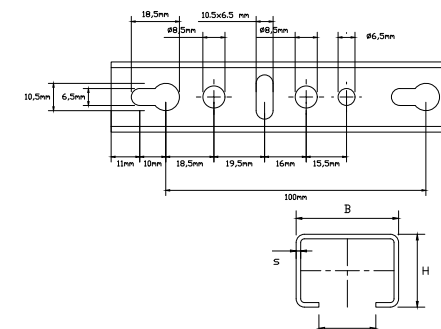
Part No.	Type	L	B	H	s	S	RAL	BndS	BndL
			(mm)	(mm)	(mm)	(mm)			
650 5 000WMO		2 m	27	18	1,20	15	RAL1	20	400
650 5 600WMO		6 m	27	18	1,20	15	RAL1	60	1,200

Type	Weight (Kg/m)	Moment of Inertia cm ⁴			Section modulus cm ³
		Iy	Iz	Wy	Wz
WMO	0,57	0,28	0,91	0,30	0,67

Technical Details BIS Rapid Rail
System BIS Rapid Rail - Table of Rail Section Properties

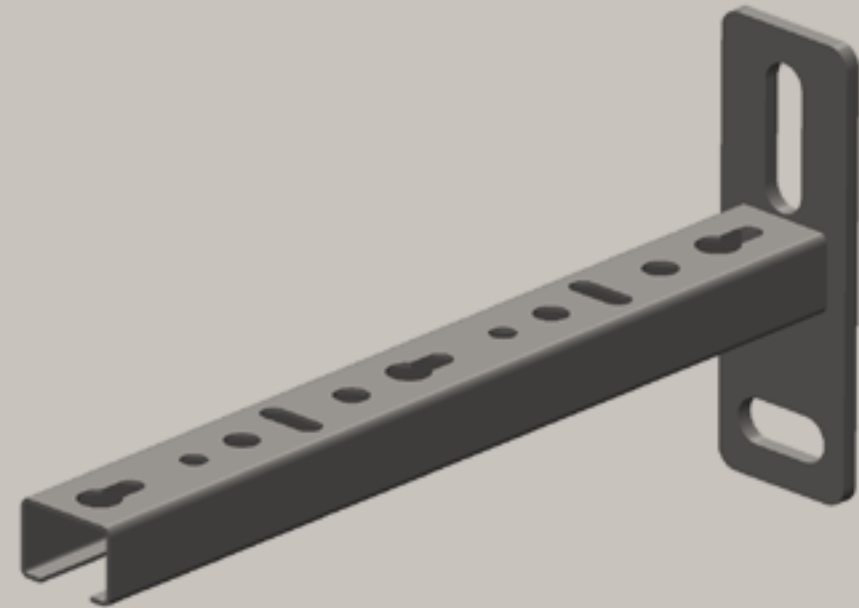
The Values of fixing Rail in Stainless Steel are higher than those mentioned above.
See Rail Load Tables for Safe Working Loads.

Perforation pattern for fixing to ceiling or Wall. Distance between Rail end and first hole is always equal.



Hot Dip Galvanized, Stainless Steel, and Electrical Option available on request.
With connection nut M8/M10, M10/M12 available on request.
With M6 Side Nuts available on request.

BIS RapidRail Cantiliver Arms(BUP1000)



FEATURES & BENEFITS

Wall plate with welded C-profile

Perfectly suitable for hanging to the ceiling

Slots at 90° to each other to simplify fixing

CO2 welded - Material: steel

Unique perforation on rail WM15, WM30 and rail WM35 allows for hanging on both sides

Allowed load (Fa, z) check loading tables

A continuous graduated centimeter scale on one side

Product is part of the BIS Ultra Protect® 1000 system

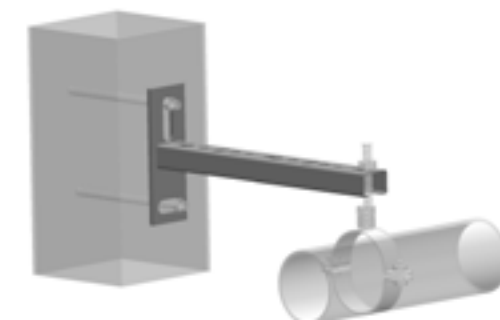
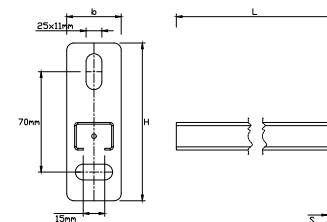
Suitable for in- and outdoor applications

Stands min. 1.000 hours salt spray test

(max. 5% red rust) according to ISO 9227

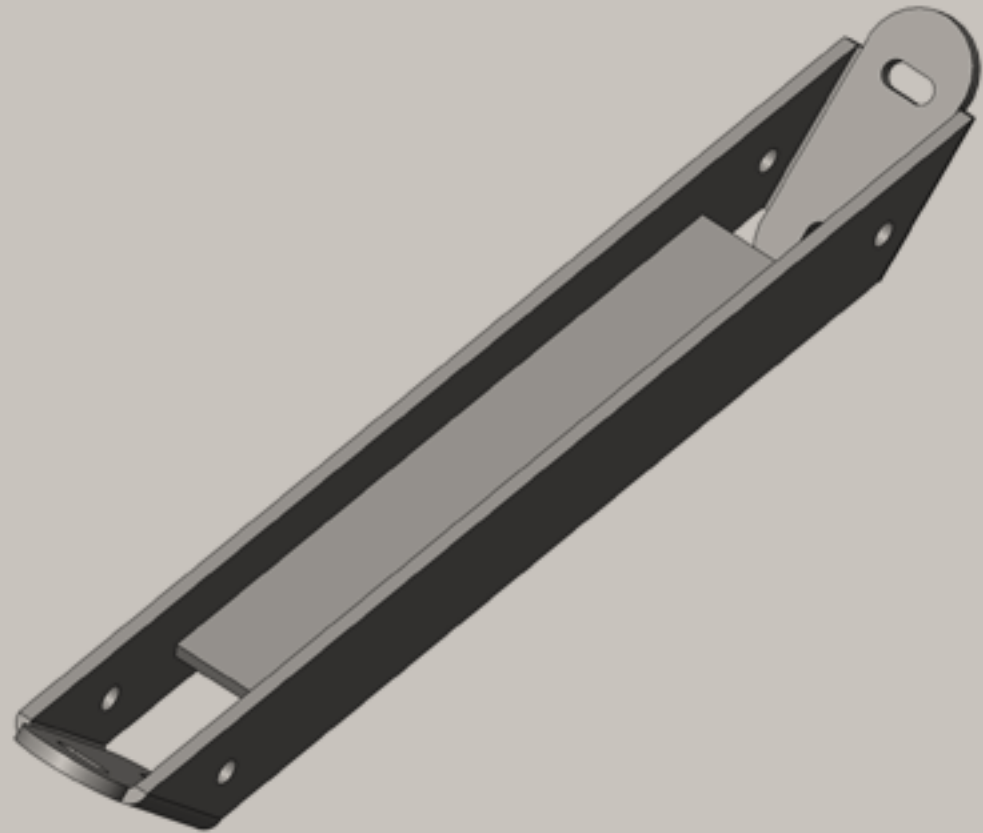


Part No.	L (mm)	H	From Rail (mm) b x s	Pack 1
660 3 015 150 mm	110	WMO-27 x 18	38 x 4	20
660 3 019 200 mm	110	WMO-27 x 18	38 x 4	60



Hot Dip Galvanized, Stainless Steel, and Electrical Option available on request.
With connection nut M8/M10, M10/M12 available on request.
With M6 Side Nuts available on request.

BIS Rail Props



FEATURES & BENEFITS

45° support bracket

For fixing support under, top or on side of a cantilever arm

Also used to strengthen rail constructions

Suitable for WM0, 1, 15, 2, 30

Cantilever arm of WM30 not suitable

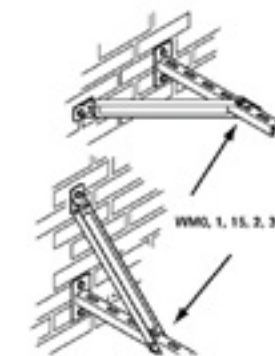
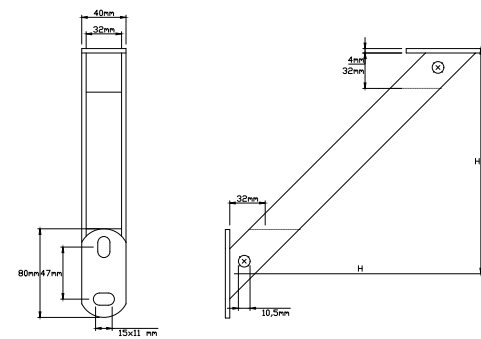
for 'run-through fixing'

CO2 welded

Material: steel

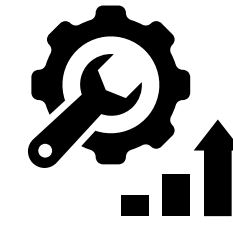
Zinc plated

Part No.	H (mm)	From Rail	Pack 1
662 8 220	250	WMO-30	10
662 8 230	350	WMO-30	10



Hot Dip Galvanized, Stainless Steel, and Electrical Option available on request.
With connection nut M8/M10, M10/M12 available on request.
With M6 Side Nuts available on request.

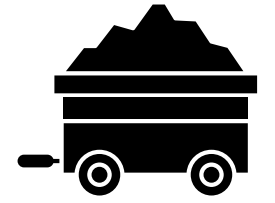
OUR PRODUCTION ARM



Leading
Manufacturer And
Fabricator



Region
Exposure



100%
Raw Material

0.5

Harmony Manufacturing is a leading manufacturer and fabricator of light steel construction products in the region, servicing the construction sector.

Products of Harmony Manufacturing are manufactured from quality raw material according to the relevant international standards to meet all kinds of construction projects requirements.



Health And Safty

The Factory Management regard the health and safety of the employees, clients and all others that may be affected by their operations to be of a major importance.

In support of this, the management promotes health and safety throughout the factory's operations and endeavor to engender a positive attitude in all employees towards the prevention of accidents and maintenance of healthy working arrangements.



The Factory satisfies the requirements of the Health, Safety and related legislation by setting out the responsibilities of all levels of staff and the arrangements for carrying out those responsibilities and in particular do what is reasonably practicable to:

1. Maintains safe & healthy working conditions.
2. Ensures that all facilities and equipment are safe and properly maintained.
3. Provides products that can be applied and used safely and without risk to health.
4. Provides and maintain working procedures, that are safe and without risk to health, throughout the its operations in respect of:
The use, handling, storage, transports and disposal of materials and substances, The use of factory equipment , Potential emergency situations, including first aid & fire and escape of substances.
5. Ensure the competence of employees by keeping trained and up tp date with the latest in the industry both technically and in terms of safety.

Social Responsibility

Being socially responsible is a part of who we are and how we do our business. We aim to provide useful products and services, to provide jobs and development opportunities for our communities, and satisfaction through meaningful work.

We make a difference by acting on the values and principles of our societies and we inspire others to do at Harmony, we anticipate and reduce threats caused by environmental changes or natural disasters, and we are well adapted to significant social changes. We contribute to a more sustainable society by means of value and support to our consumers & our supply chains.



WE ARE KEEN TO IDENTIFY WAYS THEY CAN IMPROVE OUR IMPACTS ON THE PEOPLE AND PLACES WE WORK.

- Organizational governance: We promote accountability and transparency at all levels.
- Human care: We treat individuals with respect; and make efforts to help members of vulnerable groups.
- Labor practices: We provide just, safe and favorable conditions to workers
- Environment: At Harmony, we identify and improve environmental impacts of our operations, including the resource use of natural resources and waste disposal.

At Harmony, we are committed to continuous improvement ongoing learning, process review and innovative thinking that foster new initiatives; and better practices.

Our environmental programs evolve to meet today's changing needs while protecting resources for future generations.

CONTACT INFORMATION

www.harmony-egy.com
info@harmony-egy.com

Plot 230, Third Industrial Zone, 6th of October, Giza, Egypt
المنطقة الصناعية الثالثة، القطعة ٢٣٠، مدينة 6 أكتوبر، الجيزة، مصر

+2 0111 521 3111
+2 0121 0 11 2633